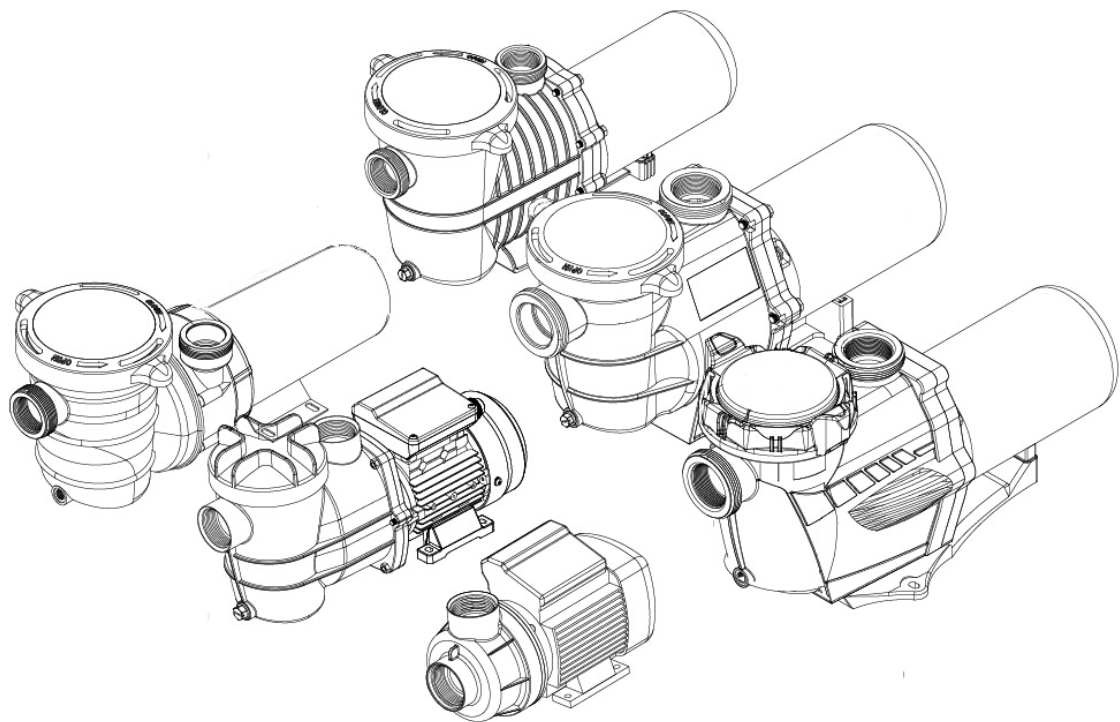


# PUMP - OWNER'S MANUAL

INSTALLATION, OPERATION, & PARTS



**Before installation, be sure to read all instructions and warnings carefully.**

Refer to product dataplate(s) for additional operating instruction and specifications.

**Inspection**

Examine the equipment when received. Notify your dealer or carrier of any damage or missing parts. Verify that equipment is of size and model specified.

**Important Safety Instructions**

When installing and using this electrical equipment, basic safety precautions should always be followed, including the following:

1. READ AND FOLLOW ALL INSTRUCTIONS.
2. WARNING – To reduce risk of injury, do not permit children to use this product unless they are closely supervised at all times.
3. WARNING – (For cord & plug connected units). Risk of Electrical Shock. Connect only to a grounding type receptacle protected by a ground-fault circuit-interrupter (GFCI). Contact a qualified electrician if you cannot verify that the receptacle is protected by a GFCI.
4. WARNING – (For cord & plug connected units). Do not bury cord. Locate cord to minimize abuse from lawn mowers, hedge trimmers and other equipment.
5. WARNING – (For cord & plug connected units). To reduce the risk of electric shock, replace damaged cord immediately.
6. WARNING – (For cord & plug connected units). To reduce the risk of electrical shock do not use an extension cord to connect unit to electrical supply; provide a properly located outlet.
7. CAUTION – (For pumps with a 25 ft. (7.62m cord). This pump is for use with storable pools only. Do not use with permanently installed pools. A storable pool is constructed so that it may be readily disassembled for storage and reassembled to its original integrity. A permanently installed pool is constructed in or on the ground or in a building such that it cannot be readily disassembled for storage.
8. CAUTION – (For pumps with/without 3ft.(91m cord) or 6ft.(1.82m cord). This pump is for use with permanently installed pools and may also be used with hot tubs and spas if so marked. Do not use with storable pools. A permanently installed pool is constructed in or on the ground or in a building such that it cannot be readily disassembled for storage. A storable pool is constructed so that it may be readily disassembled for storage and reassembled to its original integrity.
9. WARNING – (For hot tub and spa pumps). Do not install within an outer enclosure or beneath the skirt of the hot tub or spa, unless so marked.
10. SAVE THESE INSTRUCTIONS!

**Installation Location**

Locate pump as close to pool/spa as possible, preferably in a dry, well ventilated area away from direct sunlight. It should be on a hard, level surface. Give consideration to:

1. Drainage – away from pump.
2. Ventilation of pump motor.
3. Access for future servicing and winterizing.
4. Protection from the elements.

Pumps without strainer bodies are designed for flooded suction (all suction fittings and suction piping below water level) and will not self-prime. Consequently, the pump must be installed at an elevation that is below water level when pool

or spa is filled; however, if suction line valves are installed, the pump may be closed for priming. Keep vertical distance to a minimum if you choose to mount pump above water level.

Pumps with strainer bodies are self-priming but should be mounted as close to the water level as possible or below for ease in priming.

### General Plumbing

#### FOR SOLVENT WELD CONNECTION

Rigid or flexible PVC pipe can be used. Pipe ends should be clean and free of any flash cause by the cutting operation. Be sure that the proper adhesive is used on the type of pipe specified.

**Note:** A primer will assure that adhesive joints are superior. Suregard P-3000 has a purple tracer to qualify in areas where codes specify a primer must be used.

**Caution:** We recommend that you consider climatic conditions when applying adhesives. Certain atmospheric situations, such as high moisture content, make adhesive action of certain glues less effective. Check the manufacturer's instructions.

#### FOR THREADED CONNECTIONS

Use only Teflon tape or equivalent on threaded plumbing connections. Other pipe compounds may damage threads. We do not recommend the use of silicone or petroleum based compounds. DO NOT OVERTIGHTEN – HAND TIGHTEN PLUS ½ TURN IS SUFFICIENT.

### Pump Plumbing

Suction pipe should be as large or larger that discharge pipe. Avoid using suction pipe small that pump connection.

Keep the piping as straight and short as possible, and of suitable size. Avoid connecting an elbow directly into the pump inlet (use a length of straight pipe to allow a proper entry for the water). Arrange horizontal runs to slope upward to the pump to prevent high spots that could form air pockets. Support the pipe independently so that it places no strain on the pump. Keep as much of the suction line as possible below the water level to reduce priming time. Install valves and unions in the pump suction and return lines to facilitate servicing. Valves are recommended for throttling maintenance if the system is installed below deck level. Suction valves are essential for priming all pumps without strainer bodies installed above water level. Pumps with strainer bodies are self-priming, nevertheless, we recommend the use of check valve in the suction pipe at or below the water level if the suction lift is more that five feet or if the dry suction is more that ten feet long. Keep the valve in the suction line fully open during operation.

### Electrical Data

Refer to information on motor nameplate fo electrical service data. All motors should have fused disconnect switch or circuit breaker. Be sure wire size is sufficient for pump HP and distance from power source. Wiring should be done in accordance with applicable codes by a competent electrician.

We recommend the installation of a ground fault circuit interrupter for maximum safety.

### Pump Start Up

Do not operate pump until it has been primed as water acts to cool and lubricate the seal. For pumps without strainer bodies and locater above water, close suction line valve and fill pump with water in order to prime. For pumps with strainer bodies and located above water, prime by removing strainer cover and filling strainer body with water. Pumps located below water level will selfprime if all piping is also below water level. After pump has been primed, energize motor and open all suction and discharge line valves. It may take some time for pump to remove air from suction lines. If no flow is

observed in five minutes, stop the motor and re-prime. If the pump fails to operate, check for air leaks. Refer to Trouble Shooting section.

After about ten minutes of operation, check the return fittings for air bubbles. A continuous flow of air indicates leaks in suction line. Locate and correct any leaks immediately.

**CONTROLLING THE OUTPUT**

Keep the gate valve in the suction line fully open during operation. Should it be necessary to control the output, use a valve in the return line.

**Caution:** Do not retighten strainer Ring-Lok during operation.

**Caution:** Do not operate pump with closed suction or discharge valves.

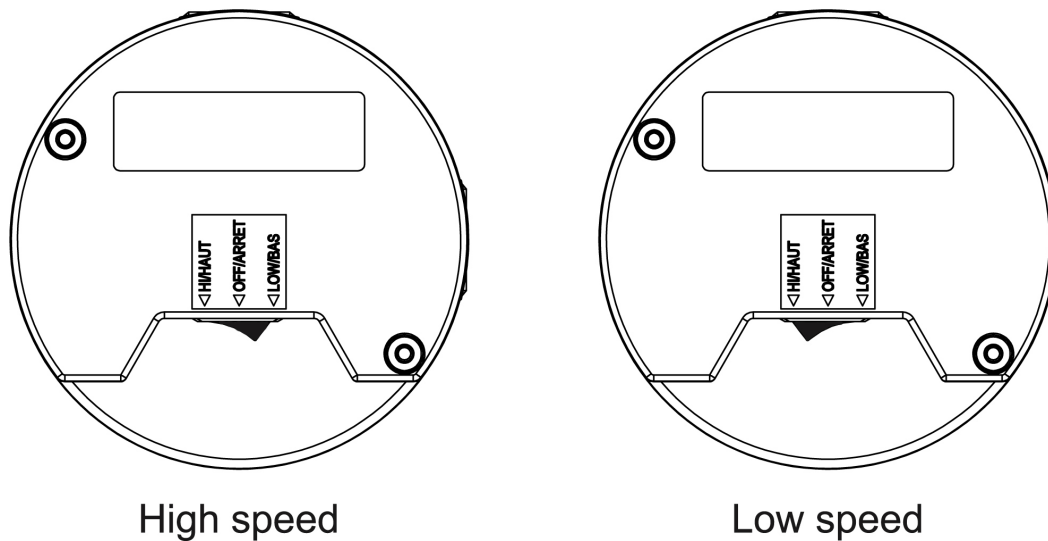
**Two-Speed Pumps**

Two-speed models are recommended in a swimming pool when high speed is needed for maximum filtration at peak periods and whenever turbidity levels are high. At other times, switch to low speed. For backwashing and vacuuming, high speed is required.

In spas and hot tubs, use high speed to attain full performance in the hydro-therapy mode. At other times, such as filter/heat cycle mode, use low speed. Low speed provides sufficient flow to activate most spa heaters and provides sufficient flow for filtration.

In jetted tubs, use high speed to attain full performance in the hydro-therapy mode and use low speed mode to prime.

The below picture shows how to switch between the high speed and low speed.



**Winterizing**

Consult your dealer for advice on winterizing your equipment if freezing temperatures occur in your locality. His knowledge of your equipment makes him the best qualified source of information. Follow his recommendations, and if these include draining the filter system, proceed as follows:

1. If your system does not contain a filter, proceed to step 2.

- A. For sand filters: BACKWASH for 3 to 5 minutes and set dial valve to WINTERIZE.
  - B. For cartridge filters: Clean the filter element and store in a dry place.
2. Drain system by loosening drain plugs (drain plugs will drain without completely removing the plug from unit) and/or removing pipe caps.

**Water Chemistry**

A proper and consistent use of chemicals is necessary to maintain clean, sanitary water, prevent a spread of germ infection and control the growth of algae which can spoil the appearance and enjoyment of your pool or spa.

Chlorine is the most commonly used chemical to provide clean, sanitary water. Either dry or liquid chlorine (calcium or sodium hypochlorite) can be used which should be added daily as it is dissipated by dirt and germs as well as by the sun and wind.

It is also important that the correct level of acidity or alkalinity of the pool water be maintained. This is the pH of your pool with pH 7.0 being neutral. Readings above 7.0 are alkaline and below are acid. A desirable range is 7.2 – 7.4.

**Pump Maintenance**

1. Motors are self-lubricating – no lubrication required.
2. Clean hair & lint strainer if you have a strainer body pump.
3. Visually inspect motor for blockage of air vents on motor shell. Remove any debris after breaker off.
4. Shaft seals may become worn and must be replaced if leakage is observed.

**Cleaning**

Switch power off. Close valves in suction and return line. Unscrew strainer Ring-Lok counterclockwise and remove the strainer cover from hair and lint strainer and lift out strainer basket. Clean and replace the basket. Take care to seat basket properly. Clean O-Ring and re-lubricate with petroleum jelly if necessary. Clean O-Ring seats on cover and strainer. Refit cover and strainer – hand tighten only – and open valves. Put pump back into operation.

**Caution:** Do not retighten strainer during operation.

**Service & Repair Parts**

Refer all service to your local dealer as his knowledge of your equipment makes him the best qualified source of information. Order all repair parts through your dealer.

Give the following information when ordering repair parts:

1. Unit nameplate data.
2. Description of part.

**Trouble Shooting**

**MOTOR DOES NOT START**

1. Disconnect switch or circuit breaker in OFF position.
2. Fuses blown or thermal overload open. Locked motor shaft.
3. Motor windings burned out.
4. Defective starting switch inside single-phase motor
5. Disconnected or defective wiring
6. Low voltage

**MOTOR DOES NOT REACH FULL SPEED**

1. Low voltage
2. 2 speed model set on low speed
3. Motor windings connected for wrong voltage on dual voltage model.

**MOTOR OVERHEATS (Protect trips)**

1. Low voltage
2. Motor windings connected for wrong voltage on dual voltage model.
3. Inadequate ventilation

**PUMP DELIVERS NO WATER**

1. Pump is not primed
2. Closed valve in suction or discharge line
3. Leakage or air into suction system
4. Impeller clogged

**LOW PUMP CAPACITY**

1. Valve in suction or discharge line partly closed
2. Suction or discharge line partly plugged
3. Suction or discharge line too small
4. Pump running at reduced speed (see above)
5. Plugged basket in skimmer or hair and lint strainer
6. Dirty filter
7. Impeller clogged
8. Wrong rotation (3 phase only)

**LOW PUMP PRESSURE**

1. Pump running at reduced speed (see above)
2. Wrong rotation (3 phase only)
3. Discharge valve or inlet fittings closed too much

**HIGH PUMP PRESSURE**

1. Discharge valve or inlet fittings closed too much

- 2. Return lines too small
- 3. Dirty filters

**NOISY PUMP AND MOTOR**

- 1. Plugged basket in skimmer or hair in lint strainer
- 2. Worn motor bearings
- 3. Valve in suction line partly closed
- 4. Suction line partly plugged
- 5. Vacuum hose plugged or too small
- 6. Pump not supported properly

**LEAKAGE OF WATER AT SHAFT**

- 1. Shaft seal requires replacement

**AIR BUBBLES AT INLEY FITTINGS**

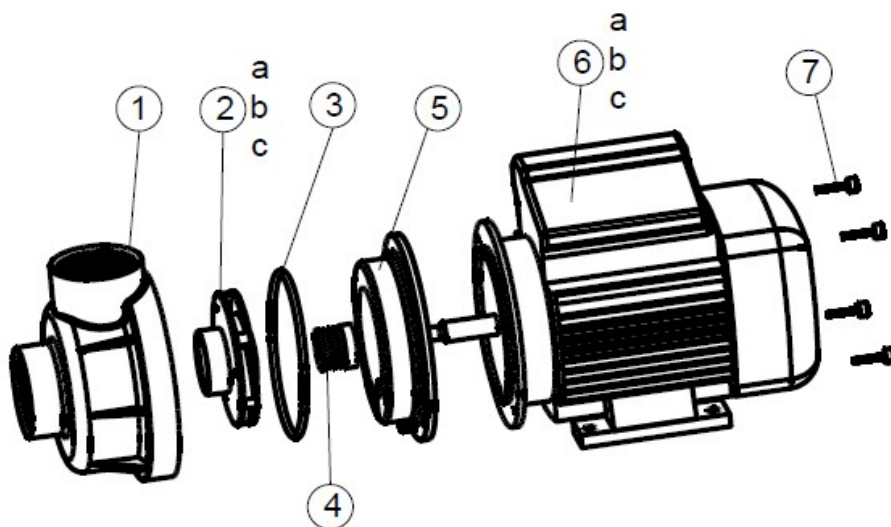
- 1. Leakage air into suction line at connections or valve stem
- 2. Cover gasket of hair and lint strainer needs cleaning
- 3. Restriction in suction line
- 4. Low water level in pool

**NOTE: If the recommendations in the Trouble Shooting portion of this manual do not solve your particular problem(s), please contact your local dealer for service.**

**TECHNICAL DATA**

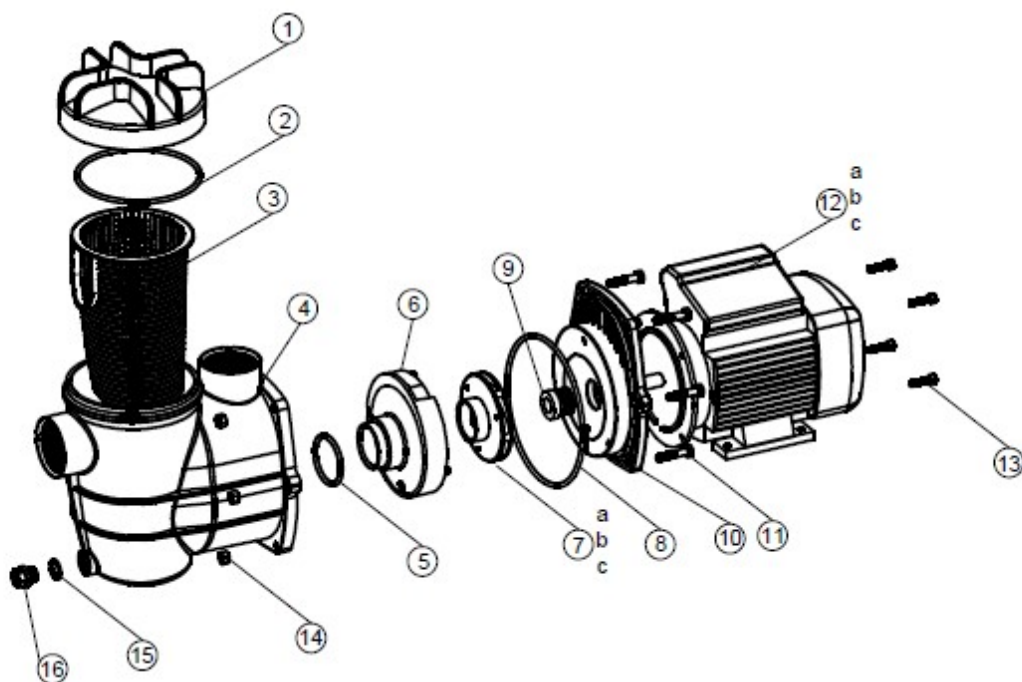
Model	HP	RPM	Volte / HZ	Amps	Remark
P1002/P1102	1/4 HP	3450	115V/60HZ	2.5	Single- speed
P1003/P1103	1/3 HP	3450	115V/60HZ	3.6	
P1207/P1407	0.75HP SPL	3450	115V/60HZ	7.3	
P1210/P1410	1.0HP SPL	3450	115V/60HZ	9	
P1215/P1415	1.5HP SPL	3450	115V/60HZ	12	
P2007	0.75 HP	3450	115V/60HZ	9.2	
P2010	1.0 HP	3450	115V/230V/60HZ	11.5/5.7	
P2015	1.5 HP	3450	115V/230V/60HZ	14/7	
P2110	1.0 HP	3450	115V/230V/60HZ	11.5/5.7	
P2115	1.5 HP	3450	115V/230V/60HZ	14.2/7.1	
P2410	1.0HP	3450	115V/230V/60HZ	11.5/5.7	
P2415	1.5 HP	3450	115V/230V/60HZ	14.2/7.1	
P1210D/P1410D	1.0HP SPL	3450/1720	115V/60HZ	10A/3.2A	
P1215D/P1415D	1.5HP SPL	3450/1720	115V/60HZ	12A/3.6A	
P2007D	0.75 HP	3450/1720	115V/60HZ	10A/3.2A	
P2010D	1.0 HP	3450/1720	115V/60HZ	12A/3.6A	
P2015D	1.5 HP	3450/1720	230V/60HZ	7.5A/2.1A	
P2110D	1.0 HP	3450/1720	115V/60HZ	12A/3.6A	
P2115D	1.5 HP	3450/1720	230V/60HZ	7.5A/2.1A	

Parts Listing:P1002 / P1003 / P1005



Ref. No.	Part No.	Description	QTY
1	647251201080	Pump housing	1
2a	64P100271000	Impeller for P1002	1
2b	647251271000	Impeller for P1003	1
2c	647272071000	Impeller for P1005	1
3	65431069080	o-ring	1
4	65028013000	Seal assembly	1
5	647251202080	Pump cover	1
6a	65023017000	0.25HP motor for P1002	1
6b	65023018000	0.35HP motor for P1003	1
6c	65023151000	0.5HP motor for P1005	1
7	65224024000	Screw M5X20	4

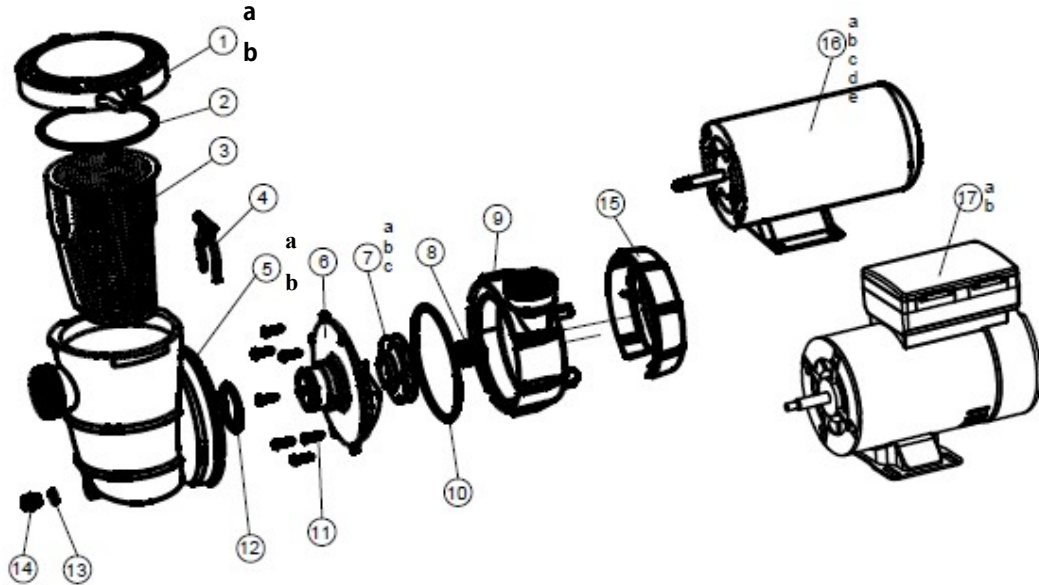
Parts Listing:P1102 / P1103 / P1105



Ref. No.	Part No.	Description	QTY
1	647251503000	Cover	1
2	65431071080	o-ring	1
3	647251507001	basket	1
4	647251501080	Pump housing	1
5	65431070080	o-ring	1
6	647251504080	diffuser	1
7a	64P100271000	Impeller for P1102	1
7b	647251271000	Impeller for P1103	1
7c	647272071000	Impeller for P1105	1
8	65431037080	o-ring	1
9	65028013000	Seal assembly	1
10	647251502080	Pump cover	1
11	65224004000	Screw M6X25	6
12a	65023017000	0.25HP motor for P1102	1
12b	65023018000	0.35HP motor for P1103	1
12c	65023151000	0.5HP motor for P1105	1
13	65224025000	Screw M5X14	4
14	65231002000	Nut M6	6
15	65432002080	gasket	1
16	88601007000	Drain plug	1



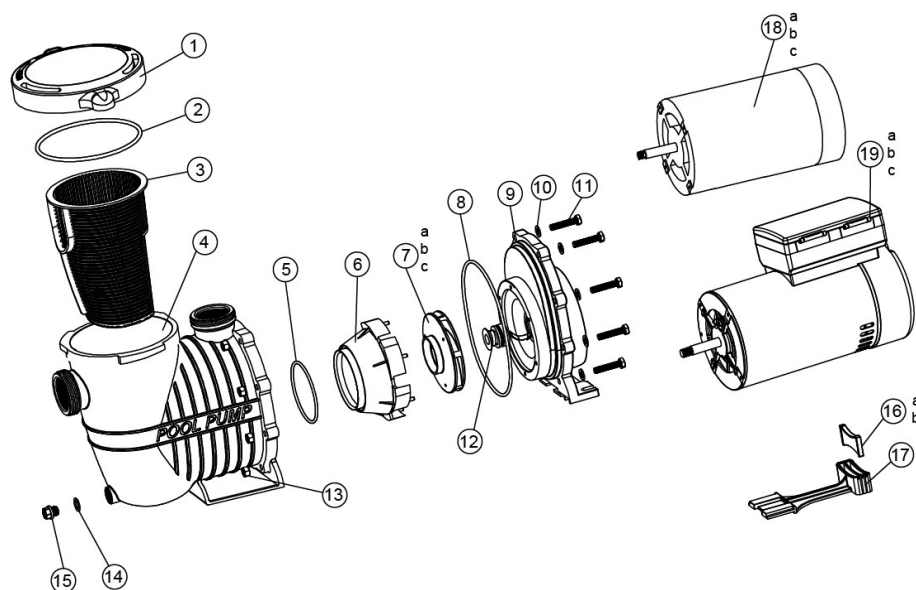
Parts Listing:P1207 / P1210 / P1215 / P1407/P1410/P1415/P1210D(DC) /  
P1215D(DC)/P1410D(DC)/P1415D(DC)



Ref. No.	Part No.	Description	QTY
1a	647252772000	Cover for P1207 / P1210 / P1215/ P1210D(DC) / P1215D(DC)	1
1b	6489116072	Cover for P1407/ P1410 /P1415/ P1410D(DC) / P1415D(DC)	1
2	65431042080	o-ring	1
3	647252704001	Basket	1
4	647252705080	Clip	1
5a	647252703080	Strainer housing for P1207 / P1210 / P1215/ P1210D(DC) / P1215D(DC)	1
5b	48913101080	Strainer housing for P1407/ P1410 /P1415/ P1410D(DC) / P1415D(DC)	1
6	647252702080	Pump cover	1
7a	64P120771000	Impeller for P1207/P1407	1
7b	64P121071000	Impeller for P1210/P1410/P1210 / P1210D(DC) /P1410D(DC)	1
7c	647252771000	Impeller for P1215/P1415/P1215 / P1215D(DC)/P1415D(DC)	1
8	65028003000	Seal assembly	1
9	647252701080	Pump housing	1
10	65431040080	o-ring	1
11	65212016000	Screw ST5.5X25	8
12	65431029080	O-RING	1
13	65432002080	gasket	1

14	648860105080	Drain plug	1
15	647252708080	Motor mounting plate	1
16a	65023005000	0.75 HP motor for P1207	1
16b	65023006000	1.0 HP motor for P1210	1
16c	65023007000	1.5 HP motor for P1215	1
16e	65023081000	1.0 HP two-speed motor for P1210D	1
16f	65023084000	1.5 HP two-speed motor for P1215D	1
17a	65023173000	1.0 HP two-speed motor for P1210DC	1
17b	65023174000	1.5 HP two-speed motor for P1215DC	1

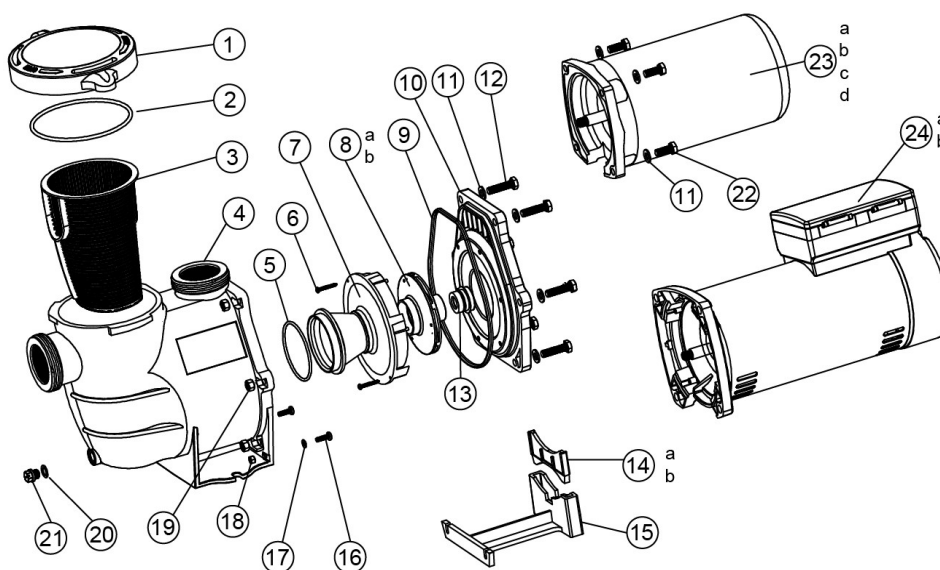
**Parts Listing:P2007 / P2010 / P2015 / P2007D (DC)/ P2010D(DC) / P2015D(DC)**



Ref. No.	Part No.	Description	QTY
1	647252772000	Cover	1
2	65431042080	o-ring	1
3	647252704001	Basket	1
4	647254201080	Pump housing	1
5	65431032080	o-ring	1
6	647254203080	Diffuser	1
7a	64P200771000	Impeller for P2007 / P2007D(DC)	1
7b	64P201071000	Impeller for P2010 / P2010D(DC)	1
7c	647254271000	Impeller for P2015 / P2015D(DC)	1
8	65431075080	o-ring	1
9	647254202080	Pump cover	1
10	65244005000	gasket M8	8
11	65221009000	Screw M8X40	8
12	65028003000	Seal assembly	1
13	65231004106	Nut M8	8

14	65432002080	gasket	1
15	648860105080	Drain plug	1
16	647254205080	Foot insert wfe pump	1
17	647254204080	Mounting foot	1
18a	65023019000	0.75HP motor for P2007	1
18b	65023020000	1.0HP motor for P2010	1
18c	65023021000	1.5HP motor for P2015	1
18d	65023087000	0.75HP two-speed motor for P2007D	1
18e	65023088000	1.0HP two-speed motor for P2010D	1
18f	65023085000	1.5HP two-speed motor for P2015D	1
19a	65023177000	0.75HP two-speed motor for P2007DC	1
19b	65023180000	1.0HP two-speed motor for P2010DC	1
19c	65023183000	1.5HP two-speed motor for P2015DC	1

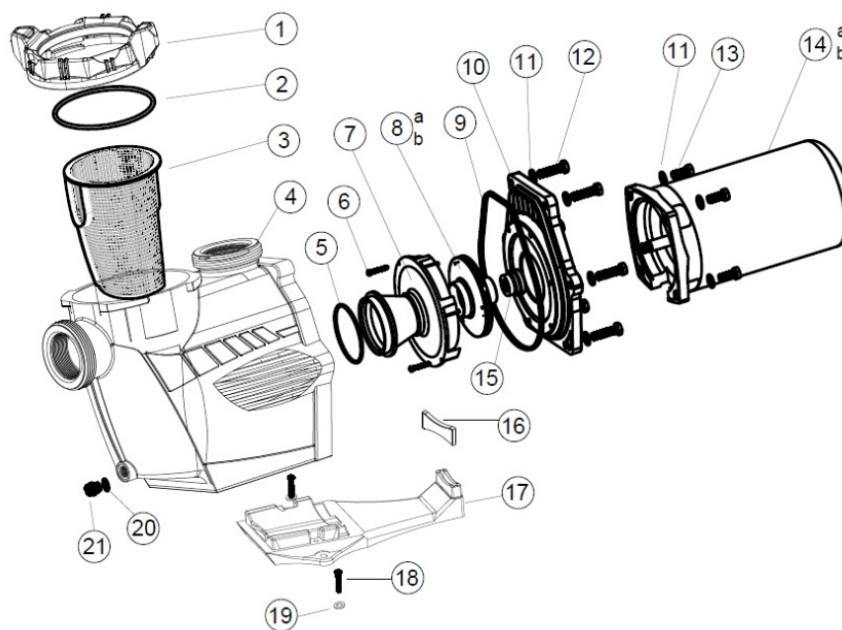
Parts Listing:P2110 / P2115 / P2110D(DC) / P2115D(DC)



Ref. No.	Part No.	Description	QTY
1	647252772000	Cover	1
2	65431042080	o-ring	1
3	647252704001	Basket	1
4	647254701080	Pump housing	1
5	65431032080	o-ring	1
6	65212025000	Screw ST4.2X38	2
7	647254703080	Diffuser	1
8a	64P211071000	Impeller for P2110 / P2110D	1
8b	64P211571000	Impeller for P2115 / P2115D	1
9	65431074080	o-ring	1
10	647254702080	Pump cover	1
11	65244015000	Gasket M10	6
12	65225003000	Screw 3/8-16*1 1/2 UNC	6
13	65028014000	Seal assembly	1
14	647254705080	Foot insert wfe pump	1
15	647254704080	Mounting foot	1
16	65224003000	Screw M6X20	2
17	65244016000	Gasket M6	2
18	65231002106	Nut M6	2
19	65232001106	Nut 3/8-16	6
20	65432002080	Gasket	1
21	648860105080	Drain plug	1
22	65221008000	Screw M10X25	4

23a	65023022000	1.0HP motor for P2110	1
23b	65023023000	1.5HP motor for P2115	1
23c	65023083000	1.0HP two-speed motor for P2110D	1
23d	65023086000	1.5HP two-speed motor for P2115D	1
24a	65023186000	1.0HP two-speed motor for P2110DC	1
24b	65023189000	1.5HP two-speed motor for P2115DC	1

Parts Listing: P2410 / P2415



Ref. No.	Part No.	Description	QTY
1	6489116072	Cover	1
2	65431042080	o-ring	1
3	647252704001	Basket	1
4	648911601080	Pump housing	1
5	65431032080	o-ring	1
6	65212025000	Screw ST4.2X38	2
7	647254703080	Diffuser	1
8a	647274771000	Impeller for P2410	1
8b	647274871000	Impeller for P2415	1
9	65431074080	o-ring	1
10	648911602080	Pump cover	1
11	65244015000	Gasket M10	10
12	65225003000	Screw 3/8-16*1 1/2 UNC	6
13	65221008000	Screw M10X25	4
14 a	65023157000	1.0HP motor for P2410	1
14 b	65023158000	1.5HP motor for P2415	1
15	65028014000	Seal assembly	1
16	647254205080	Supporting foot	1
17	648911605080	Mounting foot	1
18	65214015000	Screw ST6.3X32	2
19	65244016000	Gasket M6.6	2
20	648860105080	Drain plug	2
21	65244015000	Gasket M10	2

**Thank you for  
choosing our products!**